

# M129 CIN



**INOX**

## REVOLVING HANDLE WITH STAINLESS STEEL HEXAGON SOCKET HEAD SCREW

### Material:

Reinforced polyamide.  
Oils and greases resistant.

### Surface:

Satin.

### Colour:

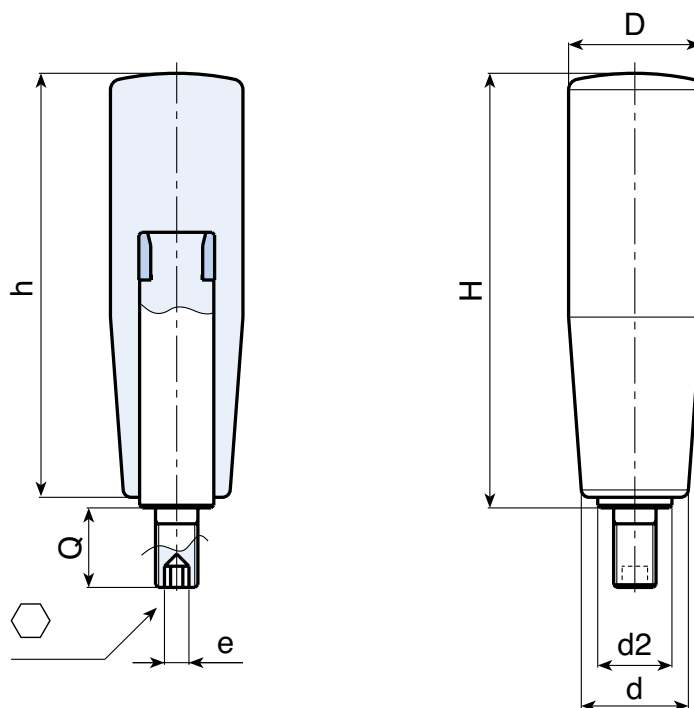
Black (RAL 9011).

### Revolving Insert:

Revolving stainless steel threaded stud (AISI 303), with hexagon socket head and brass rotative ring. (thread tolerance 6g).

### SPECIAL REQUEST:

- It is possible to supply colours as shown in the table at pag. M-29, on request and for quantities.



|   | art.                | H    | D  | h  | d  | d2 | e | d1 6g | Q  | $\Delta \Delta$ g |
|---|---------------------|------|----|----|----|----|---|-------|----|-------------------|
| ● | M12950.TM06X1201CIN | 51,5 | 20 | 50 | 15 | 10 | 3 | M06   | 12 | 42                |
| ● | M12960.TM06X1201CIN | 61,5 | 23 | 60 | 18 | 10 | 3 | M06   | 12 | 54                |
| ● | M12960.TM08X1501CIN | 61,5 | 23 | 60 | 18 | 10 | 4 | M08   | 15 | 60                |
| ● | M12970.TM08X1501CIN | 71,5 | 25 | 70 | 19 | 10 | 4 | M08   | 15 | 92                |
| ● | M12970.TM10X1501CIN | 71,5 | 25 | 70 | 19 | 10 | 4 | M10   | 15 | 94                |
| ● | M12980.TM08X1501CIN | 81,5 | 26 | 80 | 21 | 14 | 4 | M08   | 15 | 98                |
| ● | M12980.TM10X1501CIN | 81,5 | 26 | 80 | 21 | 14 | 5 | M10   | 15 | 104               |
| ● | M12980.TM12X1501CIN | 81,5 | 26 | 80 | 21 | 14 | 5 | M12   | 15 | 104               |
| ● | M12990.TM10X1501CIN | 91,5 | 27 | 90 | 22 | 14 | 5 | M10   | 15 | 118               |
| ● | M12990.TM12X1501CIN | 91,5 | 27 | 90 | 22 | 14 | 5 | M12   | 15 | 120               |