

M128



GEAR STICK HANDLE

Material:

Reinforced polyamide.
Oils and greases resistant.

Surface:

Satin.

Colour:

Black (RAL 9011).

Hole:

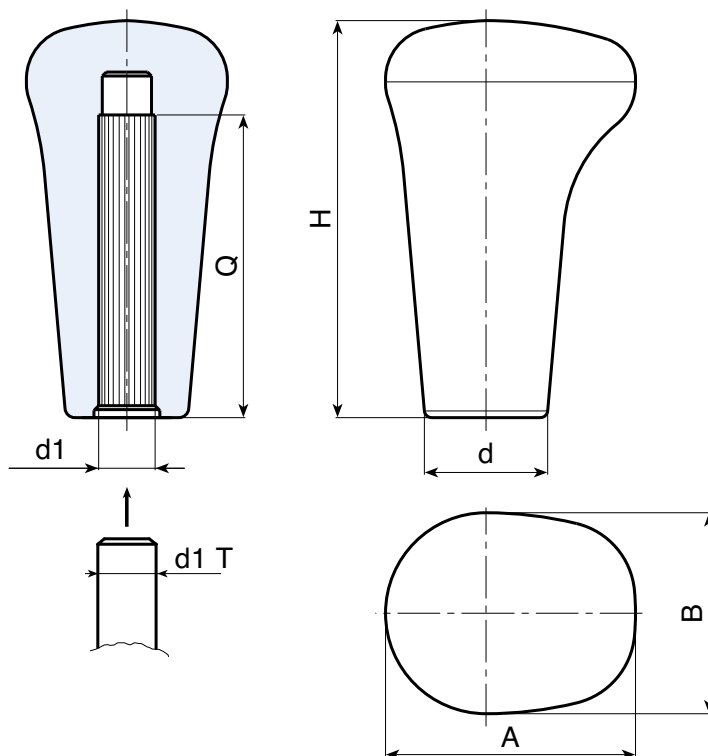
Female smooth hole, with special deformable fixing ribs, obtained by moulding the plastic.

Fixing:

Push fit.

SPECIAL REQUEST:

- It is possible to supply the handle with d1 diameter by customer design, on request and for quantities.
- It is possible to supply colours as shown in the table at pag. M-29, on request and for quantities.
ATTENTION: Reduced colour range.



	art.	H	A	B	d	d1 T	d1	Q	g
●	M12880.TG1201	80	50	40	26	+0 -0,058	12	58	64
●	M12880.TG1401	80	50	40	26	+0 -0,070	14	62	62
●	M12880.TG1601	80	50	40	26	+0 -0,070	16	60	59