

## ADAPTER FOR INDICATOR SEAT

**Material:**

Reinforced polyamide.  
Oils and greases resistant.

**Surface:**

Satin.

**Colour:**

Black (RAL 9011)..

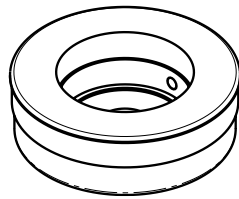
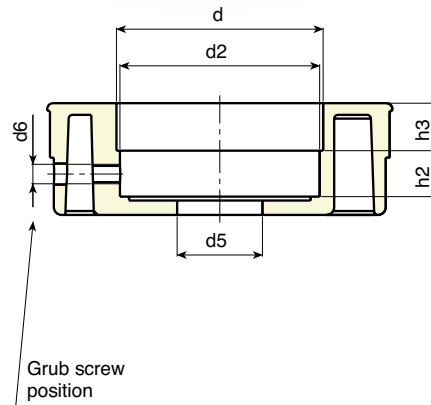
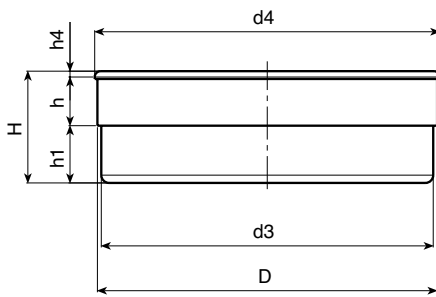
**Alternative Cap Colour:**

- Orange (RAL 2004 cod. 02)
- Blue (RAL 5015 cod. 07)
- Yellow (RAL 1021 cod. 10)
- Red (RAL 3000 cod. 16)
- Green (RAL 6024 cod. 17)
- Black (RAL 9011 cod. 01)

**WARNING:** grub screw indicator not provided.

**SPECIAL REQUESTS:**

- None.



art.	D	d	d2	d3	d4	d5	d6	H	h	h1	h2	h3	h4	g
KS080.05001	87,4	52,4 (K650050)	51,5	85,5	89	22	M06	28,5	14	14,5	11,8	12,2	2	80