

# K960



## CONTROL KNOB PREPARED FOR K650050 INDICATOR

**Material:**

Reinforced polyamide. Oils and greases resistant.

**Surface:** Satin.

**Handwheel Colour:** Black (RAL 9011).

**Mountable Indicator:**

Gravity indicator type "K650050". The indicator can be only used in a vertical position (machine axis horizontal). The indicator must be purchased separately. For more information on K650 see on page K-24.

**Main Insert:**

Zinc plated steel right through bored bush with H10 tolerance.

**Fastening:**

The knob is fixed to the shaft by means of the threaded (d4) radial bore. ( grub screw not supplied ).

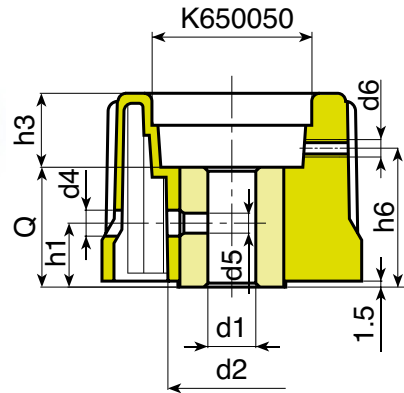
**Indicator Fastening:**

Fix the indicator with a threaded grub screw M4. ( Not supplied ) inserted in the bore d6.

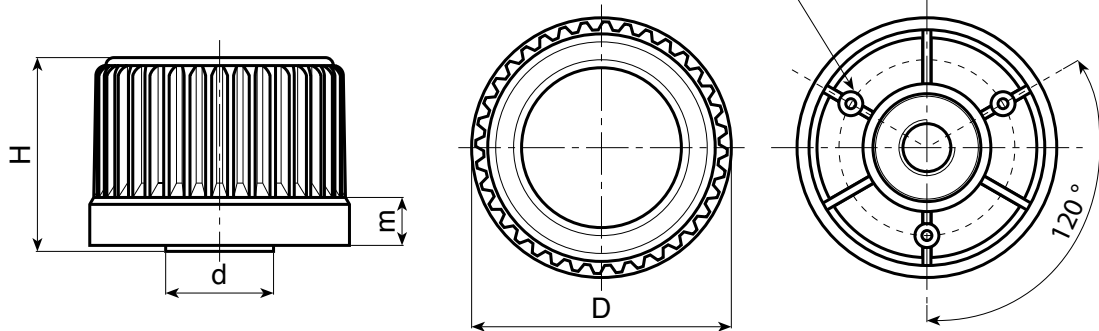


**SPECIAL REQUESTS:**

- It is possible to supply the inserts with d1 diameter by customers design, on request and for quantities.
- It is possible to supply the inserts in different materials, on request and for quantities.
- It is possible to supply the push fit central cap with alternative colours, on request.
- Upon request the control knob can be supplied with a grey flange. The code for this product is : [K96178.TD080116](#).



**FIXING FLANGE**



art.	D	H	m	d	d2	d4	d5	d6	h1	h3	h6	Dm	d1 H10	Q	△ g
K96078.TD0801	78	56	15	31	36	6,5	M6	M4	18	24	38,5	18	08	32	230

**Dm** = It's possible to increase the hole, by boring, until Dm (enlarge).

Presumable presence in the stock in %  
 90% ● 40% ● 5% ●