

K902

SOLID CONTROL HANDWHEEL WITH INDICATOR SEAT AND REVOLVING HANDLE

Material:

Reinforced polyamide.
Oils and greases resistant.

Surface:

Satin.

Colour:

Black (RAL 9011).

Main Insert:

Zinc plated steel right through bored bush with H10 tolerance.

Side Insert:

Brass right through threaded bush.

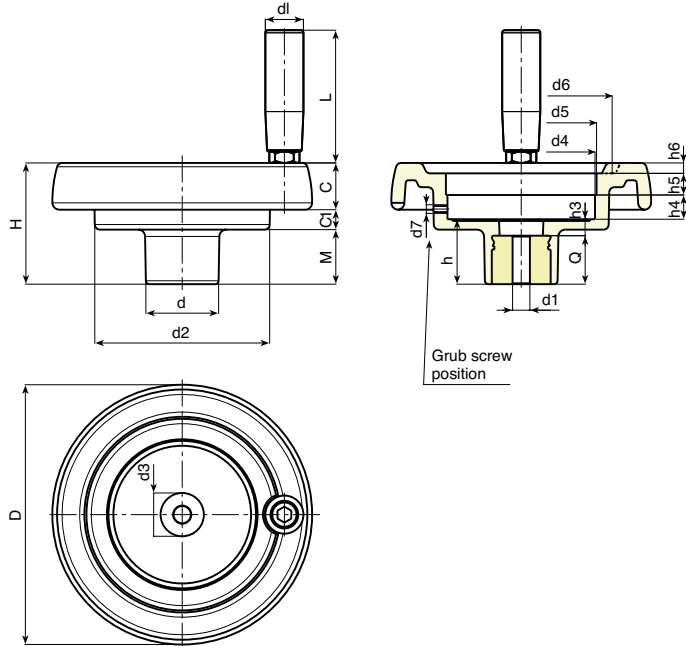
Side handle:

Revolving handle M144 (pag. M-08).

Indicator mountable:

Use gravitational indicators K650 or K660 series. The indicator can be used in a vertical position (horizontal axis machine). The indicator and the grub screw (d7) must be purchased separately. For further information on the indicators refer to page. K-24/25.

(*) With the adapter KS08050.T01 you can mount the indicator K650080.



For fixing system, or execution of keyway or square holes, please refer to the technical notes attached to the catalogue.

SPECIAL REQUESTS:

- It is possible to supply the inserts with d1 diameter by customers design, on request and for quantities.
- It is possible to supply the inserts in different materials, on request and for quantities.
- It is possible to supply the handwheels complete with indicators.
- Upon request and for quantities the indicator seat can be adjusted.

Matches diameters / Indicators:

d5=52,4 --> K650050
d5=87,4 --> K650080 o K660080
d5=124,4 --> K650120



Version with zinc plated insert and H10 tolerance bore

| art. | D | H | d | d2 | M | C | C1 | d3 | d4 | d5 (K650) | d6 | d7 | h | h3 | h4 | h5 | h6 | dl | L | Dm | d1 H10 | Q | Δg |
|-----------------------|-----|------|----|-----|------|------|------|----|------|-----------|-------|----|------|-----|------|------|-----|----|----|----|--------|----|-----|
| ● K902087.T050D5.801P | 86 | 53 | 32 | 62 | 21 | 17 | 15 | 20 | 50,8 | 52,4 | 63 | M6 | 26,5 | 6,5 | 11,5 | 12 | 3 | 20 | 56 | 12 | 5,8 | 20 | 185 |
| ● K902100.T050D6.801P | 99 | 55,5 | 32 | 63 | 23,5 | 20,5 | 11,5 | 20 | 50,8 | 52,4 | 68 | M6 | 29 | 9 | 11,5 | 12 | 3,5 | 20 | 56 | 12 | 6,8 | 20 | 200 |
| ● K902130.T080D6.801P | 129 | 64,5 | 42 | 100 | 27,5 | 23 | 14 | 29 | 85,7 | 87,4* | 90 | M6 | 34 | 10 | 13,5 | 12,5 | 5 | 21 | 65 | 20 | 6,8 | 24 | 406 |
| ● K902150.T080D6.801P | 149 | 69 | 42 | 101 | 31 | 25,5 | 12,5 | 29 | 85,7 | 87,4* | 106 | M6 | 37 | 9 | 13,5 | 12,5 | 6,5 | 23 | 76 | 20 | 6,8 | 28 | 530 |
| ● K902175.T080D6.801P | 175 | 72 | 40 | 115 | 28,5 | 32 | 11,5 | 25 | 85,7 | 87,4* | 126,5 | M6 | 38 | 10 | 12,5 | 14 | 8 | 25 | 86 | 20 | 6,8 | 28 | 760 |
| ● K902200.T120D6.801P | 199 | 71 | 46 | 137 | 24 | 32 | 15 | 29 | 123 | 124,4 | 144 | M6 | 34 | 11 | 13,5 | 12,5 | 10 | 25 | 86 | 22 | 6,8 | 23 | 920 |

Attention: bore d1 (H10 tolerance) could be produced by request, with 50 pieces minimum.

Dm = It's possible to increase the hole, by boring, until Dm (enlarge).

Version with black-oxide insert and H7 tolerance bore

| art. | D | H | d | d2 | M | C | C1 | d3 | d4 | d5 (K650) | d6 | d7 | h | h3 | h4 | h5 | h6 | dl | L | Dm | d1 H7 | Q | Δg |
|------------------------|-----|------|----|-----|------|------|------|----|------|-----------|-------|----|------|-----|------|------|-----|----|----|----|-------|----|-----|
| ● K902087.T050D..01PZB | 86 | 53 | 32 | 62 | 21 | 17 | 15 | 20 | 50,8 | 52,4 | 63 | M6 | 26,5 | 6,5 | 11,5 | 12 | 3 | 20 | 56 | 12 | A.R. | 20 | 185 |
| ● K902100.T050D..01PZB | 99 | 55,5 | 32 | 63 | 23,5 | 20,5 | 11,5 | 20 | 50,8 | 52,4 | 68 | M6 | 29 | 9 | 11,5 | 12 | 3,5 | 20 | 56 | 12 | A.R. | 20 | 200 |
| ● K902130.T080D..01PZB | 129 | 64,5 | 42 | 100 | 27,5 | 23 | 14 | 29 | 85,7 | 87,4* | 90 | M6 | 34 | 10 | 13,5 | 12,5 | 5 | 21 | 65 | 20 | A.R. | 24 | 406 |
| ● K902150.T080D..01PZB | 149 | 69 | 42 | 101 | 31 | 25,5 | 12,5 | 29 | 85,7 | 87,4* | 106 | M6 | 37 | 9 | 13,5 | 12,5 | 6,5 | 23 | 76 | 20 | A.R. | 28 | 530 |
| ● K902175.T080D..01PZB | 175 | 72 | 40 | 115 | 28,5 | 32 | 11,5 | 25 | 85,7 | 87,4* | 126,5 | M6 | 38 | 10 | 12,5 | 14 | 8 | 25 | 86 | 20 | A.R. | 28 | 760 |
| ● K902200.T120D..01PZB | 199 | 71 | 46 | 137 | 24 | 32 | 15 | 29 | 123 | 124,4 | 144 | M6 | 34 | 11 | 13,5 | 12,5 | 10 | 25 | 86 | 22 | A.R. | 23 | 920 |

Attention: replace the two places in the code .. with the hole diameter required - 50 pieces minimum.

Dm = It's possible to increase the hole, by boring, until Dm (enlarge).

A.R. = by request



SOLID CONTROL HANDWHEEL WITH INDICATOR SEAT AND REVOLVING HANDLE M145

| | Art. | D | dl | L | d1 H10 | ⚖️ g |
|---|---------------------|-----|----|----|--------|------|
| ● | K907087.T050D5,801P | 86 | 20 | 55 | 5,8 | 187 |
| ● | K907100.T050D6,801P | 99 | 20 | 55 | 6,8 | 205 |
| ● | K907130.T080D6,801P | 129 | 23 | 66 | 6,8 | 424 |
| ● | K907150.T080D6,801P | 149 | 25 | 76 | 6,8 | 516 |
| ● | K907175.T080D6,801P | 175 | 25 | 87 | 6,8 | 745 |
| ● | K907200.T120D6,801P | 199 | 27 | 87 | 6,8 | 900 |

Side handle: Revolving handle type M145 (page M-08).

For further details see art. K902

SOLID CONTROL HANDWHEEL WITH INDICATOR SEAT AND REVOLVING HANDLE M129

| | Art. | D | dl | L | d1 H10 | ⚖️ g |
|---|---------------------|-----|----|----|--------|------|
| ● | K906087.T050D6,801P | 86 | 20 | 52 | 5,8 | 197 |
| ● | K906100.T050D6,801P | 99 | 20 | 52 | 6,8 | 212 |
| ● | K906130.T080D6,801P | 129 | 23 | 62 | 6,8 | 410 |
| ● | K906150.T080D6,801P | 149 | 25 | 72 | 6,8 | 522 |
| ● | K906175.T080D6,801P | 175 | 25 | 81 | 6,8 | 750 |
| ● | K906200.T120D6,801P | 199 | 25 | 81 | 6,8 | 910 |

Side handle: Revolving handle type M129 (page M-10).

For further details see art. K902

SOLID CONTROL HANDWHEEL WITH INDICATOR SEAT AND REVOLVING HANDLE M202

| | Art. | D | dl | L | d1 H10 | ⚖️ g |
|---|---------------------|-----|----|----|--------|------|
| ● | K908150.T080D6,801P | 149 | 40 | 64 | 6,8 | 525 |
| ● | K908175.T080D6,801P | 175 | 40 | 64 | 6,8 | 745 |
| ● | K908200.T120D6,801P | 199 | 40 | 64 | 6,8 | 905 |

Side handle: Revolving handle type M202 (page M-18).

For further details see art. K902

BASE FOR SOLID CONTROL HANDWHEEL WITH INDICATOR SEAT AND SIDE HANDLE THREAD PROVISION

| | Art. | D | d1 H10 | ⚖️ g | Thread for handle |
|---|------------------|-----|--------|------|-------------------|
| ● | K087.T050D5,801P | 86 | 5,8 | 155 | M06 |
| ● | K100.T050D6,801P | 99 | 6,8 | 170 | M06 |
| ● | K130.T080D6,801P | 129 | 6,8 | 350 | M08 |
| ● | K150.T080D6,801P | 149 | 6,8 | 430 | M10 |
| ● | K175.T080D6,801P | 175 | 6,8 | 650 | M10 |
| ● | K200.T120D6,801P | 199 | 6,8 | 810 | M10 |

For further details see art. K902

K907



K906



K908



K-BASE

