

K406



TWO SPOKE HANDWHEEL WITH REVOLVING HANDLE AND INDICATOR SEAT

Material:

Reinforced polyamide. Oils and greases resistant.

Surface: Satin.

Colour: Black (RAL 9011).

Main Insert:

Zinc plated steel right through bored bush with H7 tolerance.

Side Insert:

Brass right through threaded bush.
(+) Black-oxide threaded steel insert with hexagonal threaded through hole. Fixed with black-oxide threaded hexagon socket button head screw ISO 7838.

Side handle:

Revolving handle M144 (pag. M-08).

Hub:

Solid hub.
(*) Hollow hub.

Indicator Fastening:

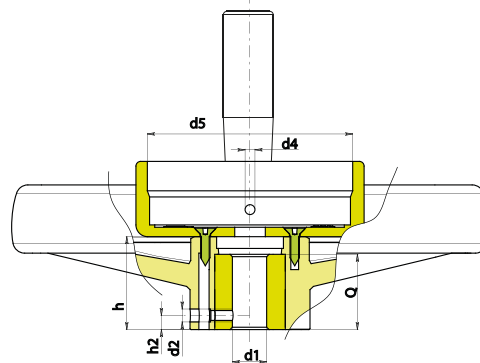
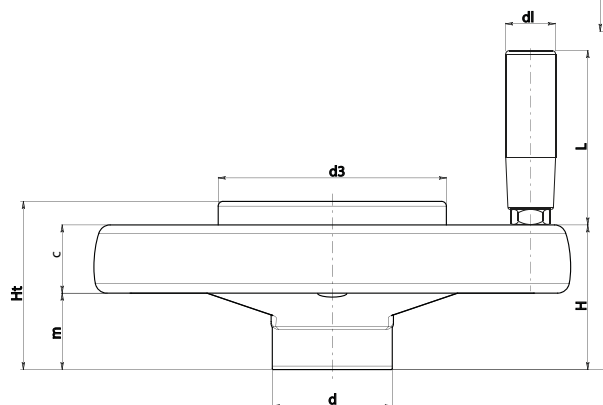
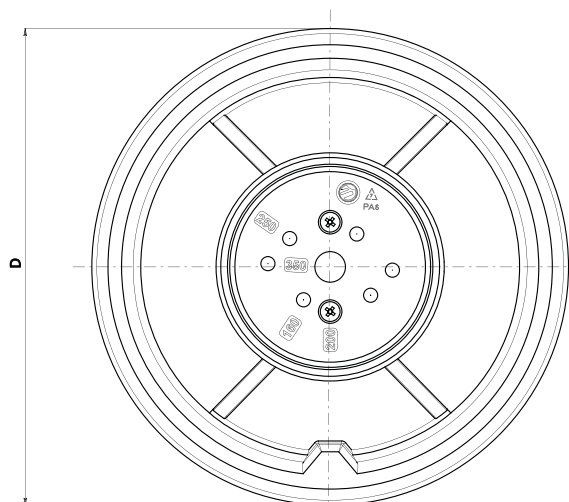
Fix the indicator with a threaded grub screw M4 inserted in the bore d4. (grub screw supplied)

Handwheel Fastening:

The handwheel is fixed to the shaft by means of the grub screw (not supplied) (d2) radial bore (M05).

SPECIAL REQUESTS:

- It is possible to supply the inserts with d1 diameter by customers design, on request and for quantities.
- It is possible to supply the inserts in different materials, on request and for quantities.
- Upon request the position indicator can be supplied with the handwheels. (not premounted for delivery).



art.	D	d	m	c	H	Ht	h	h2	d2	d3	d4	d5	Dm	d1 H10	dl	L	Q	g
● K406130.T050D0801	129	32	32	18	50	65,5	36	A.R.	A.R.	62	M5	K650050	18	8	21	65	24	370
● K406160.T050D0801	159	40	34	23	57	69	40,5	A.R.	A.R.	62	M5	K650050	22	8	23	76	32	532
● K406160.T080D0801	159	40	34	23	57	72	40,5	A.R.	A.R.	97	M5	K650080	22	8	23	76	32	553
● K406200.T080D0801	198	51	33	28,5	61,5	71	39,5	A.R.	A.R.	97	M5	K650080	22	8 (*)	23	76	32	795
● K406250.T080D0801	252	55,5	38,5	31,5	70	79	47	A.R.	A.R.	97	M5	K650080	28	8 (*)	25	86	36	1125
● K406350.T080D0801	346	67,5	43,5	36,5	80	81,5	49,5	A.R.	A.R.	97	M5	K650080	30	8 (*+)	25	86	32	1725

A.R. = Size: to customer's specifications (h2 and d2).

Dm = It's possible to increase the hole, by boring, until Dm (enlarge).