

K405



TWO SPOKE HANDWHEEL WITH INDICATOR SEAT

Material:

Reinforced polyamide. Oils and greases resistant.

Surface:

Satin.

Colour:

Black (RAL 9011).

Insert:

Zinc plated steel right through bored bush with H7 tolerance.

Hub:

Solid hub.
(*) Hollow hub.

Indicator Fastening:

Fix the position indicator with an M4 grub screw inserted in the d4 hole. (Grub screw supplied with the adapter)

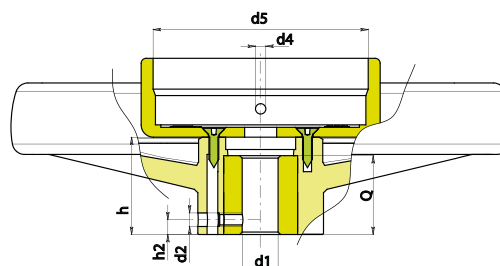
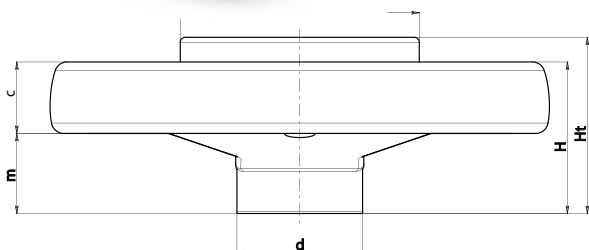
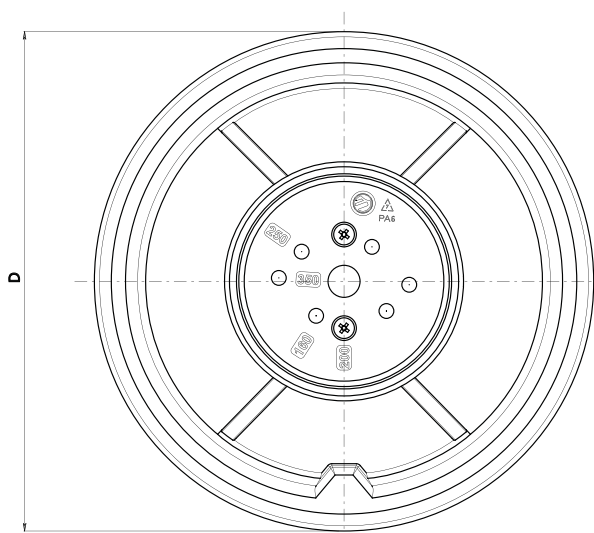
Handwheel Fastening:

Fix the handwheel to the shaft with thrust grub screw (not supplied) inserted in the d2 threaded hole (M05).



SPECIAL REQUESTS:

- It is possible to supply the inserts with d1 diameter by customers design, on request and for quantities.
- It is possible to supply the inserts in different materials, on request and for quantities.
- Upon request the handwheels can be supplied indicator complete. (not assembled for the transport).



art.	D	d	m	c	H	Ht	h	h2	d2	d3	d4	d5	Dm	d1 H10	Q	g
● K405130.T050D0801	129	32	32	18	50	65,5	36	A.R.	A.R.	62	M5	K650050	18	8	24	314
● K405160.T050D0801	159	40	34	23	57	69	40,5	A.R.	A.R.	62	M5	K650050	22	8	32	464
● K405160.T080D0801	159	40	34	23	57	72	40,5	A.R.	A.R.	97	M5	K650080	22	8	32	485
● K405200.T080D0801	198	51	33	28,5	61,5	71	39,5	A.R.	A.R.	97	M5	K650080	22	8	32	725
● K405250.T080D0801	252	55,5	38,5	31,5	70	79	47	A.R.	A.R.	97	M5	K650080	28	8	36	1015
● K405350.T080D0801	346	67,5	43,5	36,5	80	81,5	49,5	A.R.	A.R.	97	M5	K650080	30	8	32	1625

A.R. = Size: to customer's specifications (h2 and d2).

Dm = It's possible to increase the hole, by boring, until Dm (enlarge).

Presumable presence in the stock in %
90% ● 40% ● 5% ●