

K150



KNURLED KNOB WITH INDICATOR

Material:

Reinforced polyamide. Oils and greases resistant.

Surface:

Satin.

Handwheel Colour:

Black (RAL 9011).

Mountable Indicator:

Gravity indicator type "K650". Standard dirt-tight version. Two indicators. Black graduated scale proportioned to the drive ratio. Standard transparent cover. Clockwise and counter clockwise rotation. Non removable indicator.

ATTENTION: In your order specify the following information and select the corresponding letter to be inserted in the code:

Rotation direction

O= increase of values with clockwise rotation.

A= increase of values with counter clockwise rotation.

Drive Ratio and corresponding scale:

Select the appropriate drive ratio by deciding which number the big black pointer must indicate after the knobs has completed one turn. The graduate scale will be proportional to the ratio. A ratio of 12 will have a scale that ranges from 0 to 12.

Main Insert:

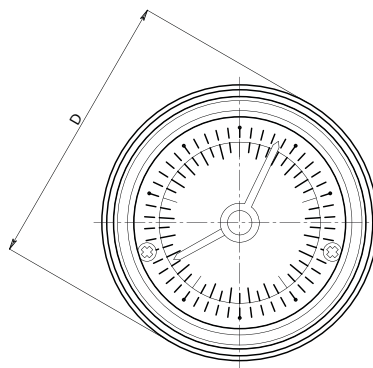
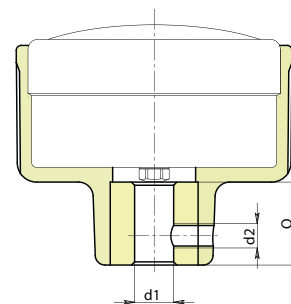
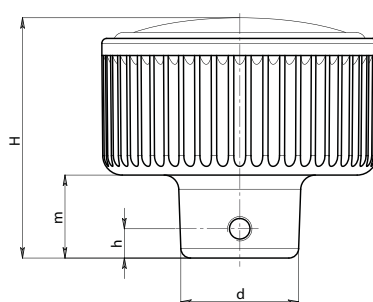
Zinc plated steel right through bored bush with H10 tolerance.

Fastening:

The knob is fixed to the shaft by means of the threaded (d2) radial bore. (grub screw not supplied).

SPECIAL REQUESTS:

- It is possible to supply the inserts with d1 diameter by customers design, on request and for quantities.
- It is possible to supply the inserts in different materials, on request and for quantities.



EN	art.	D	d	H	h	m	🕒	d2	d1 H10	dm	Q	🏋️ g
●	K150057.TD0801...	57	24	50	6	17	K650050	M5	08	12	16	105
●	K150057.TD1001...	57	24	50	6	17	K650050	M5	10	12	16	104
●	K150057.TD1201...	57	24	50	6	17	K650050	M5	12	12	16	103
●	K150072.TD0801...	72	28	56	6	21	K650070	M5	08	12	20	165
●	K150072.TD1001...	72	28	56	6	21	K650070	M5	10	12	20	163
●	K150072.TD1201...	72	28	56	6	21	K650070	M5	12	12	20	161
●	K150094.TD1001...	94	36	60	6	24	K650080	M5	10	15	24	376
●	K150094.TD1201...	94	36	60	6	24	K650080	M5	12	15	24	373
●	K150094.TD1401...	94	36	60	6	24	K650080	M5	14	15	24	370

dm = Maximum bore diameter obtainable after

Available Drive ratios:

1-2-3-6-10-12-15-18-20-24-30-36-48-50-60-72-84-96-100.

In your order enter, in the three codepoints, rotating direction and gear ratio. Example: clockwise indicator with a ratio of 12 on knob d. 57 with bore 10 H7: code: K150057.TD1001O12