

I500



ROUND CONICAL KNOB WITH SELF-FIXING HOLE

Material:

Reinforced polyamide.
Oils and greases resistant.

Surface:

Satin.

Colour:

Black (RAL 9011).

Hole:

Female smooth hole, with special deformable fixing ribs, obtained by moulding the plastic.

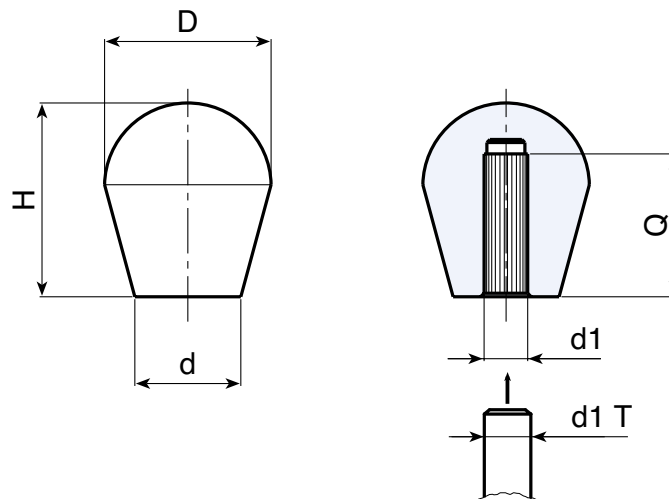
Fixing:

Push fit.



SPECIAL REQUEST:

- It is possible to supply colours as shown in the table at pag. I-23, on request and for quantities.



	art.	D	H	d	d1 T	d1	Q	g
●	I50022.TG0501	22	26	12	+0 -0,048	05	18	9
●	I50022.TG0601	22	26	12	+0 -0,048	06	18	8,5
●	I50022.TG0801	22	26	12	+0 -0,058	08	18	8
●	I50030.TG1001	27	32	18	+0 -0,058	10	23	11
●	I50030.TG1201	27	32	18	+0 -0,070	12	22	11
●	I50030.TG1401	27	32	18	+0 -0,070	14	20	10
●	I50032.TG0601	32	37	19,5	+0 -0,048	06	25	23
●	I50032.TG0801	32	37	19,5	+0 -0,058	08	25	23
●	I50032.TG1001	32	37	19,5	+0 -0,058	10	25	22
●	I50032.TG1201	32	37	19,5	+0 -0,070	12	25	21
●	I50032.TG1401	32	37	19,5	+0 -0,070	14	25	20
●	I50037.TG1201	37	43	24	+0 -0,070	12	30	35
●	I50037.TG1601	37	43	24	+0 -0,070	16	30	33
●	I50037.TG1801	37	43	24	+0 -0,070	18	30	31