

I130



MUSHROOM KNOB WITH CAP AND THREADED STUD

Material:

Reinforced polyamide.
Oils and greases resistant.

Surface:

Satin.

Colour:

Black (RAL 9011).

Central Cap:

Grey polyamide (RAL 7035 cod. 13).

Alternative Cap Colour:

Orange (RAL 2004 cod. 02)
Blue (RAL 5015 cod. 07)
Yellow (RAL 1021 cod. 10)
Red (RAL 3000 cod. 16)
Green (RAL 6024 cod. 17)
Black (RAL 9011 cod. 01)

Main Insert:

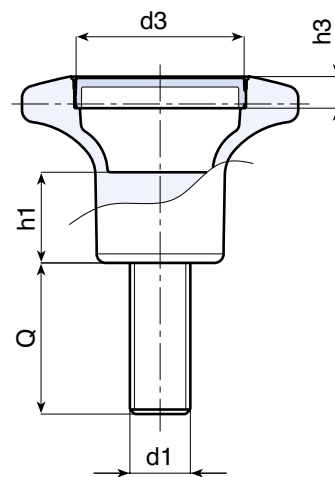
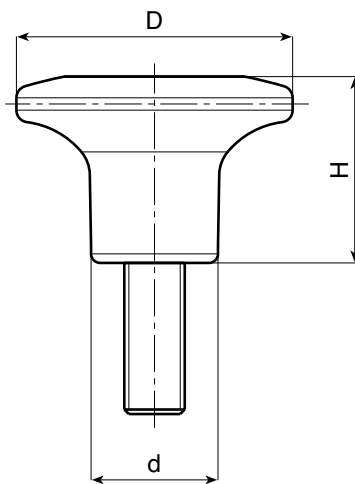
Zinc plated steel threaded stud (tolerance 6g).

SPECIAL REQUESTS:

- It is possible to supply inserts in different lengths or by special design, on request and for quantities.
- It is possible to supply inserts in different materials, on request and for quantities.
- It is possible to supply colours as shown in the table on pag I-23, on request and for quantities.

PAD PRINTING SERVICE:

- Upon request and for special quantities caps can be supplied with customized pad printing.



	art.	D	H	d	h1	d3	h3	LM	d1 6g	Q	⚖ g
●	I13045.TM08X3001	45	31	21	15	28	5	100	M08	30	36
●	I13045.TM10X..01	45	31	21	15	28	5	100	M10	A.R.	-
●	I13045.TM12X..01	45	31	21	15	28	5	100	M12	A.R.	-