

I125



CONICAL KNOB WITH CAP AND SELF-FIXING HOLE

Material:

Reinforced polyamide.
Oils and greases resistant.

Surface:

Satin.

Colour:

Black (RAL 9011).

Central Cap:

Grey polyamide (RAL 7035 cod. 13).

Alternative Cap Colour:

Orange (RAL 2004 cod. 02)
Blue (RAL 5015 cod. 07)
Yellow (RAL 1021 cod. 10)
Red (RAL 3000 cod. 16)
Green (RAL 6024 cod. 17)
Black (RAL 9011 cod. 01)

Hole:

Female smooth hole, with special deformable fixing ribs, obtained by moulding the plastic.

Fixing:

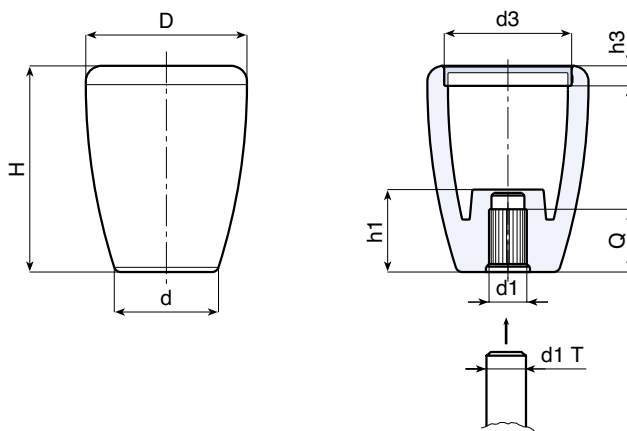
Push fit.

SPECIAL REQUEST:

- It is possible to supply colours as shown in the table at pag. I-23, on request and for quantities.

PAD PRINTING SERVICE:

- Upon request and for special quantities caps can be supplied with customized pad printing.



	art.	D	H	d	h1	d3	h3	d1 T	d1	Q	g
●	I12543.TG0801	43	55	27	30	34	5,5	+0 -0,058	08	24	34
●	I12543.TG1001	43	55	27	30	34	5,5	+0 -0,058	10	24	32
●	I12543.TG1201	43	55	27	30	34	5,5	+0 -0,070	12	24	30