

CONICAL KNOB WITH CAP AND THREADED PLASTIC BORE

Material:

Reinforced polyamide.
Oils and greases resistant.

Surface:

Satin.

Colour:

Black (RAL 9011).

Central Cap:

Grey polyamide (RAL 7035 cod. 13).

Alternative Cap Colour:

Orange (RAL 2004 cod. 02)
Blue (RAL 5015 cod. 07)
Yellow (RAL 1021 cod. 10)
Red (RAL 3000 cod. 16)
Green (RAL 6024 cod. 17)
Black (RAL 9011 cod. 01)

Hole:

Female threaded blind hole obtained by moulding the plastic. (tolerance in not applicable).

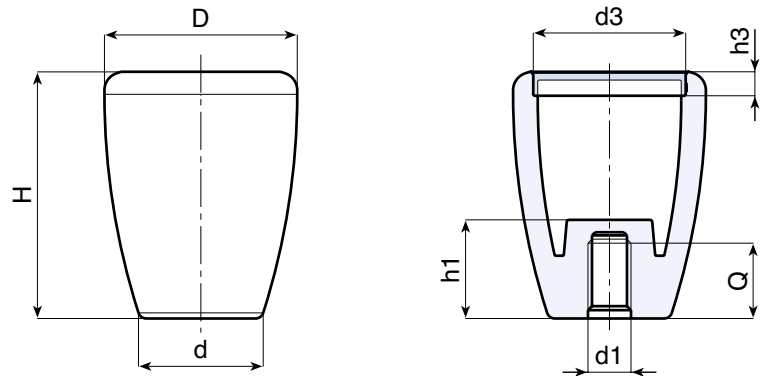


SPECIAL REQUEST:

- It is possible to supply colours as shown in the table at pag. I-23, on request and for quantities.

PAD PRINTING SERVICE:

- Upon request and for special quantities caps can be supplied with customized pad printing.



	art.	D	H	d	h1	d3	h3	d1	Q	⚖ g
●	I12443.TM0801	43	55	27	30	34	5,5	M08	24	34
●	I12443.TM1001	43	55	27	30	34	5,5	M10	24	32
●	I12443.TM1201	43	55	27	30	34	5,5	M12	24	30