

# I123



## CONICAL KNOB WITH CAP AND FEMALE THREADED INSERT

### Material:

Reinforced polyamide.  
Oils and greases resistant.

### Surface:

Satin.

### Colour:

Black (RAL 9011).

### Central Cap:

Grey polyamide (RAL 7035 cod. 13).

### Alternative Cap Colour:

Orange (RAL 2004 cod. 02)  
Blue (RAL 5015 cod. 07)  
Yellow (RAL 1021 cod. 10)  
Red (RAL 3000 cod. 16)  
Green (RAL 6024 cod. 17)  
Black (RAL 9011 cod. 01)

### Main Insert:

Brass blind threaded bush (tolerance 6H).

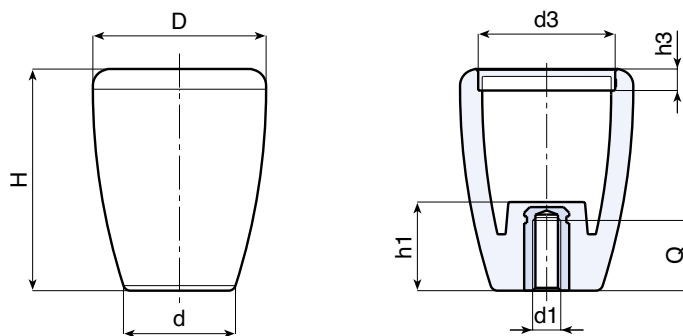


### SPECIAL REQUEST:

- It is possible to supply the inserts in different materials, on request and for quantities.
- It is possible to supply colours as shown in the table at pag. I-23, on request and for quantities.

### PAD PRINTING SERVICE:

- Upon request and for special quantities caps can be supplied with customized pad printing.



	art.	D	H	d	h1	d3	h3	d1 6H	Q	g
●	I12343.TM0801	43	55	27	30	34	5,5	M08	16	37
●	I12343.TM1001	43	55	27	30	34	5,5	M10	15	38
●	I12343.TM1201	43	55	27	30	34	5,5	M12	15	40