

I118



MUSHROOM KNOB WITH THREADED PLASTIC BORE

Material:

Reinforced polyamide.
Oils and greases resistant.

Surface:

Satin.

Colour:

Black (RAL 9011).

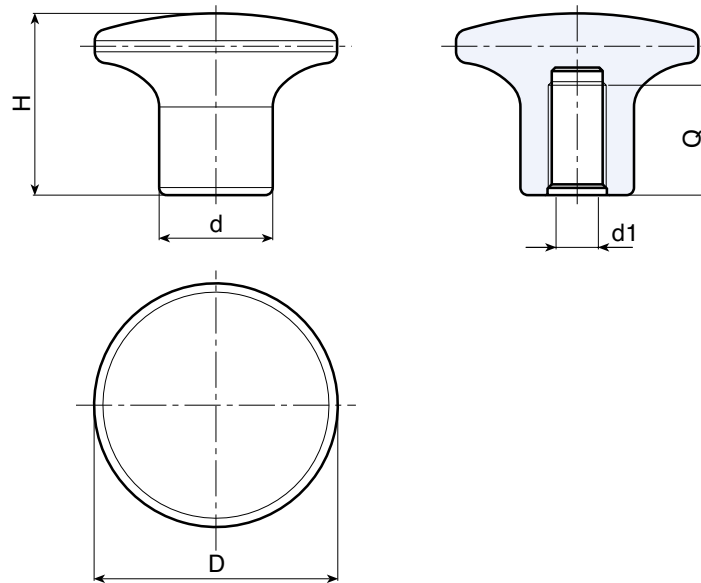
Hole:

Female threaded blind hole obtained by moulding the plastic. (tolerance in not applicable).



SPECIAL REQUEST:

- It is possible to supply colours as shown in the table at pag. I-23, on request and for quantities.



	art.	D	H	d	d1	Q	g
●	I11822.TM0401	22	17	11	M04	12	4
●	I11822.TM0501	22	17	11	M05	12	4
●	I11822.TM0601	22	17	11	M06	12	4
●	I11826.TM0501	26	20,5	13	M05	13	6
●	I11826.TM0601	26	20,5	13	M06	13	6
●	I11826.TM0801	26	20,5	13	M08	13	6
●	I11832.TM0501	32	24	15	M05	15	10
●	I11832.TM0601	32	24	15	M06	15	10
●	I11832.TM0801	32	24	15	M08	15	10
●	I11845.TM0801	45	32	21	M08	21	26
●	I11845.TM1001	45	32	21	M10	21	25
●	I11845.TM1201	45	32	21	M12	21	25
●	I11845.TM1401	45	32	21	M14	21	23