

I113



CONICAL KNOB WITH LEVER ARM

Material:

Reinforced polyamide.
Oils and greases resistant.

Surface:

Satin.

Colour:

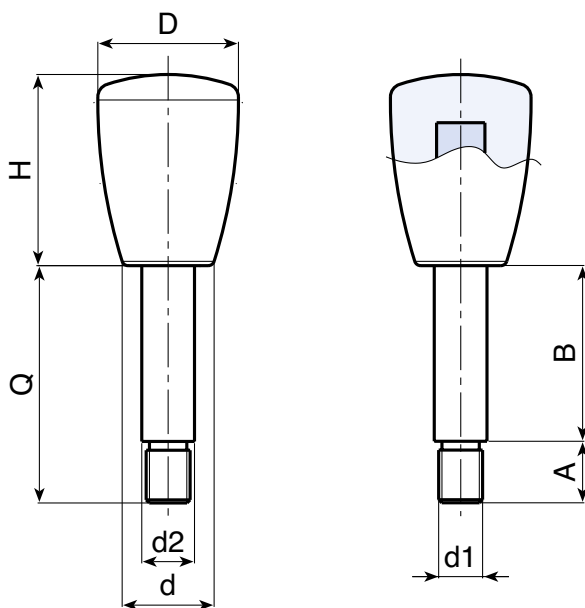
Black (RAL 9011).

Main Insert:

Zinc plated steel partially threaded stud
(tolerance 6g).

SPECIAL REQUESTS:

- It is possible to supply inserts in different lengths or by special design, on request and for quantities.
- It is possible to supply inserts in different materials/treatments, on request and for quantities.
- It is possible to supply colours as shown in the table on page I-23, on request and for quantities.



	art.	D	H	d	A	B	d2	d1 6g	Q	Δ g
●	I11325.TI10X4001	25	34	17	10	30	10	M08	40	42
●	I11325.TI10X5501	25	34	17	10	45	10	M08	55	48
●	I11325.TI10X8001	25	34	17	10	70	10	M08	80	75
●	I11332.TI12X5501	32	43	21	15	40	12	M10	55	86
●	I11332.TI12X6501	32	43	21	15	50	12	M10	65	97
●	I11332.TI14X6501	32	43	21	15	50	14	M12	65	114

LM = Maximum mouldable length.

It's possible to have different length, by customers requests. Minimum 250 pieces.