

I109



CONICAL KNOB WITH SELF-FIXING HOLE

Material:

Reinforced polyamide.
Oils and greases resistant.

Surface:

Satin.

Colour:

Black (RAL 9011).

Hole:

Female smooth hole, with special deformable fixing ribs, obtained by moulding the plastic.

Fixing:

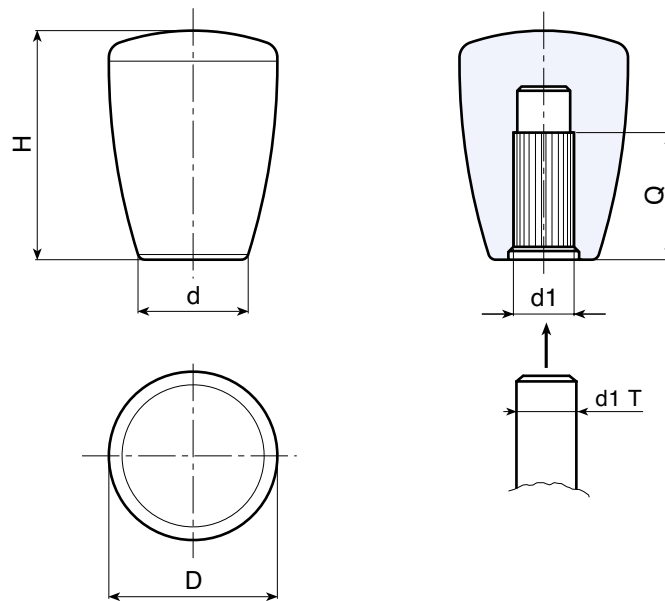
Push fit.



SPECIAL REQUEST:

- It is possible to supply colours as shown in the table at pag. I-23, on request and for quantities.

(*) ATTENTION: Reduced colour range.



	art.	D	H	d	d1 T	d1	Q	g
●	I10921.TG0501	21	28	13	+0 -0,048	05	16	13
●	I10925.TG0601	25	34	17	+0 -0,048	06	24	16
●	I10925.TG0801	25	34	17	+0 -0,058	08	24	16
●	I10925.TG1001	25	34	17	+0 -0,058	10	24	14
●	I10932.TG0801	32	43	21	+0 -0,058	08	30	36
●	I10932.TG1001	32	43	21	+0 -0,058	10	30	34
●	I10932.TG1201	32	43	21	+0 -0,070	12	30	30
●	I10943.TG1001	43	58	27	+0 -0,058	(*) 10	36	80
●	I10943.TG1201	43	58	27	+0 -0,070	(*) 12	36	78
●	I10943.TG1401	43	58	27	+0 -0,070	(*) 14	36	76
●	I10943.TG1501	43	58	27	+0 -0,070	(*) 15	36	74