

# C197

## C193-C194-C195-BASE



# SOLID CONTROL HANDWHEEL WITH REVOLVING HANDLE

### Material:

Reinforced and stabilised polyamide.  
Oils and greases resistant.

### Surface:

Satin.

### Colour:

Black (RAL 9011).

### Central Cap:

Grey polyamide (RAL 7035 cod. 13).

### Alternative Cap Colour:

Orange (RAL 2004 cod. 02)  
Blue (RAL 5015 cod. 07)  
Yellow (RAL 1021 cod. 10)  
Red (RAL 3000 cod. 16)  
Green (RAL 6024 cod. 17)  
Black (RAL 9011 cod. 01)

### Main Insert:

Zinc plated steel insert with smooth through-hole (H10 tolerance).

### Side Insert:

Brass right through threaded bush.

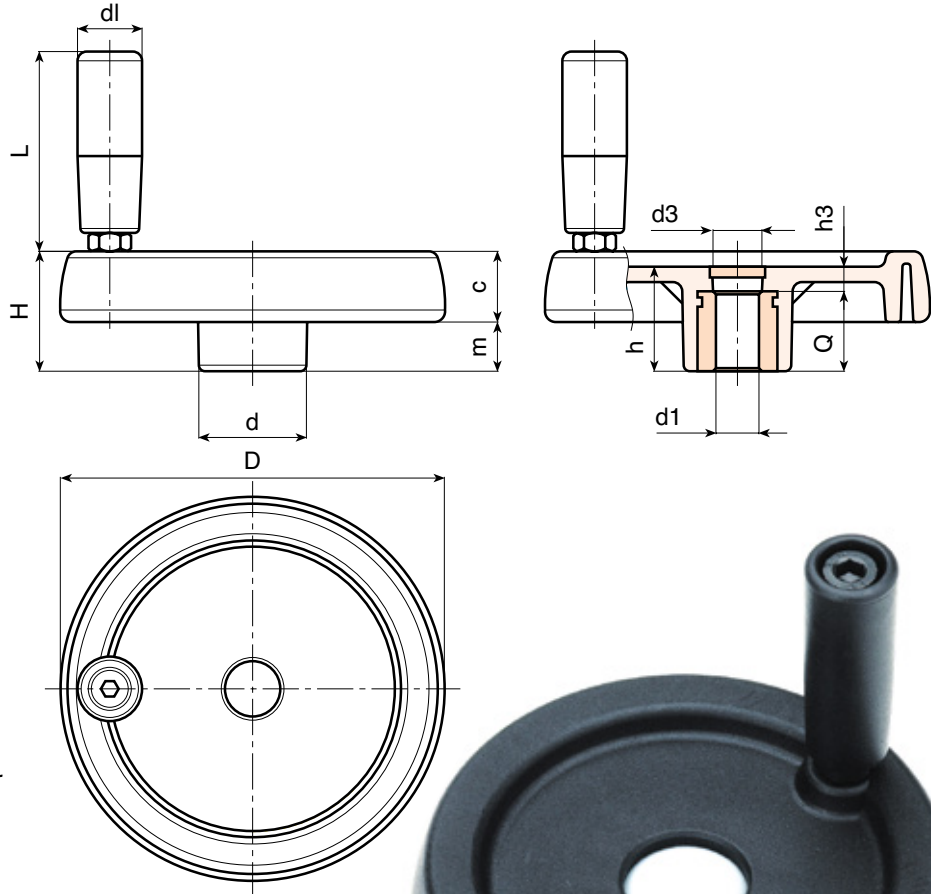
### Side handle:

Revolving handle M144 (pag. M-08).

For fixing system, or execution of keyway or square holes, please refer to the technical notes attached to the catalogue.

### SPECIAL REQUEST:

- It's possible to supply the inserts with d1 bore by customer design, on request and for quantities.
- It's possible to supply the inserts in different material and treatment-finishes, on request and for quantities.
- It's possible to supply the products with colours (reduced range) as shown in the table at page C-11, on request and for quantities.



### Version with zinc plated insert and H10 tolerance bore

Art.	D	H	h	d	m	c	d3	h3	dl	L	Dm	d1 H10	Q	g
C197080.TP0501P	81	33	29	25	16	17	16	9	20	56	12	05	20	130
C197100.TP0501P	100	39	34	30	18,5	20,5	16	10	20	56	16	05	24	192
C197125.TP0501P	125	44	37	36	20	24	26	13	21	65	18	05	24	351
C197150.TD0801P	150	54	44	38	25	29	26	12	23	76	22	08	32	588
C197175.TD0801P	173	57	47	40	25,5	31,5	26	15	25	86	22	08	32	770
C197200.TD0801P	202	59	49	44	24	35	27	13	25	86	28	08	36	980
C197250.TD0801P	249	68	58	59	29	39	36	22	25	86	28	08	36	1530

Attention: bore d1 (H10 tolerance) could be produced by request, with 50 pieces minimum.

Dm = It's possible to increase the hole, by boring, until Dm (enlarge).

### Version with black-oxide insert and H7 tolerance bore

Art.	D	H	h	d	m	c	d3	h3	dl	L	Dm	d1 H7	Q	g
C197080.TD..01PZB	81	33	29	25	16	17	16	9	20	56	12	A.R.	20	130
C197100.TD..01PZB	100	39	34	30	18,5	20,5	16	10	20	56	16	A.R.	24	192
C197125.TD..01PZB	125	44	37	36	20	24	26	13	21	65	18	A.R.	24	351
C197150.TD..01PZB	150	54	44	38	25	29	26	12	23	76	22	A.R.	32	588
C197175.TD..01PZB	173	57	47	40	25,5	31,5	26	15	25	86	22	A.R.	32	770
C197200.TD..01PZB	202	59	49	44	24	35	27	13	25	86	28	A.R.	36	980
C197250.TD..01PZB	249	68	58	59	29	39	36	22	25	86	28	A.R.	36	1530

Attention: replace the two places in the code .. with the hole diameter required - 50 pieces minimum.

Dm = It's possible to increase the hole, by boring, until Dm (enlarge). A.R. = By request

## SOLID CONTROL HANDWHEEL WITH REVOLVING HANDLE M145

**C193**



Art.	D	dI	L	d1 H10	△ g
<b>C193080.TP0501P</b>	81	20	55	05	135
<b>C193100.TP0501P</b>	100	20	55	05	220
<b>C193125.TP0501P</b>	125	23	66	05	370
<b>C193150.TD0801P</b>	150	25	76	08	594
<b>C193175.TD0801P</b>	173	25	87	08	750
<b>C193200.TD0801P</b>	202	27	96	08	965
<b>C193250.TD0801P</b>	249	27	96	08	1500

Side handle: Revolving handle type M145 (page M-14).

For further details see art. C197

## SOLID CONTROL HANDWHEEL WITH REVOLVING HANDLE M129

**C194**



Art.	D	dI	L	d1 H10	△ g
<b>C194080.TP0501P</b>	81	20	52	05	145
<b>C194100.TP0501P</b>	100	20	52	05	235
<b>C194125.TP0501P</b>	125	23	62	05	350
<b>C194150.TD0801P</b>	150	25	72	08	610
<b>C194175.TD0801P</b>	173	25	81	08	755
<b>C194200.TD0801P</b>	202	27	93	08	975
<b>C194250.TD0801P</b>	249	27	93	08	1520

Side handle: Revolving handle type M129 (page M-10).

For further details see art. C197

## SOLID CONTROL HANDWHEEL WITH REVOLVING HANDLE M202

**C195**



Art.	D	dI	L	d1 H10	△ g
<b>C195150.TD0801P</b>	150	40	64	08	610
<b>C195175.TD0801P</b>	173	40	64	08	750
<b>C195200.TD0801P</b>	202	40	64	08	960
<b>C195250.TD0801P</b>	249	40	64	08	1490

Side handle: Revolving handle type M202 (page M-18).

For further details see art. C197



## BASE FOR SOLID CONTROL HANDWHEEL WITH PROVISION FOR HANDLE

**C-BASE**



Art.	D	d1 H10	g	Side handle thread
<b>C080.TP0501P</b>	81	05	100	M06
<b>C100.TP0501P</b>	100	05	190	M06
<b>C125.TP0501P</b>	125	05	290	M08
<b>C150.TD0801P</b>	150	08	520	M10
<b>C175.TD0801P</b>	173	08	660	M10
<b>C200.TD0801P</b>	202	08	870	M10
<b>C250.TD0801P</b>	249	08	1400	M10

For further details see art. C197

Presumable presence in the stock in %

() 90% () 40% () 5% ()

BOTECA® - © All right reserved - [www.boteco.it](http://www.boteco.it)

Any unauthorized reproduction is strictly forbidden



**BOTECA**